

NOTES:
 1. OVERALL HEIGHT IS IN LOADED CONDITION. UNLOADED HEIGHTS MAY BE 4" ABOVE HEIGHTS SHOWN.

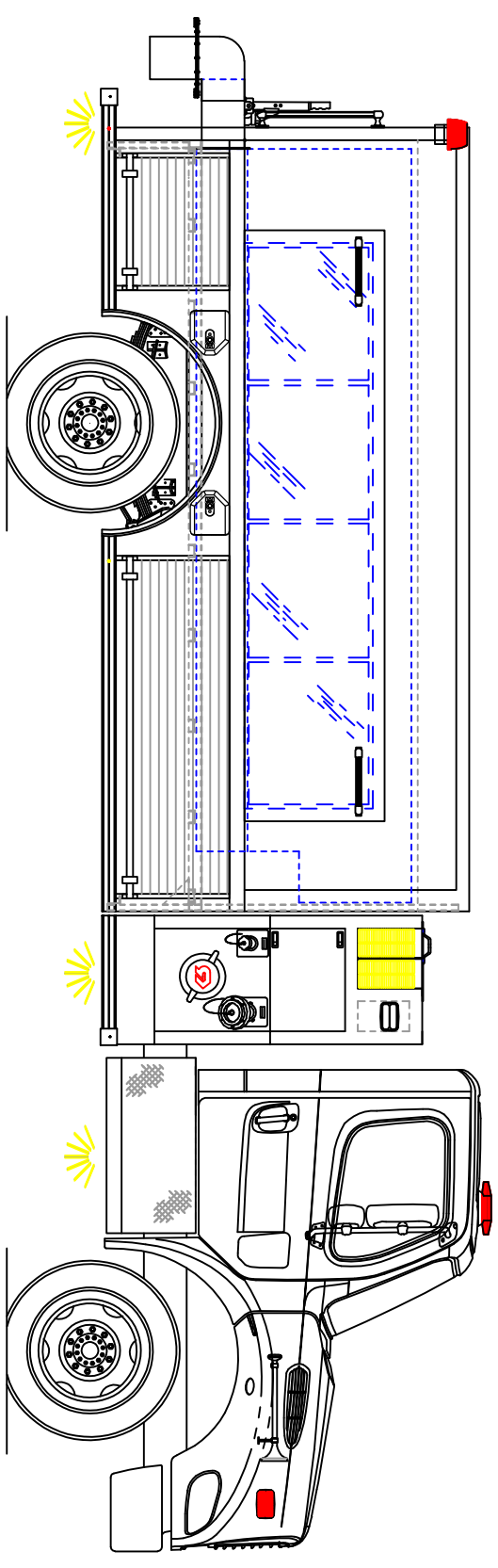
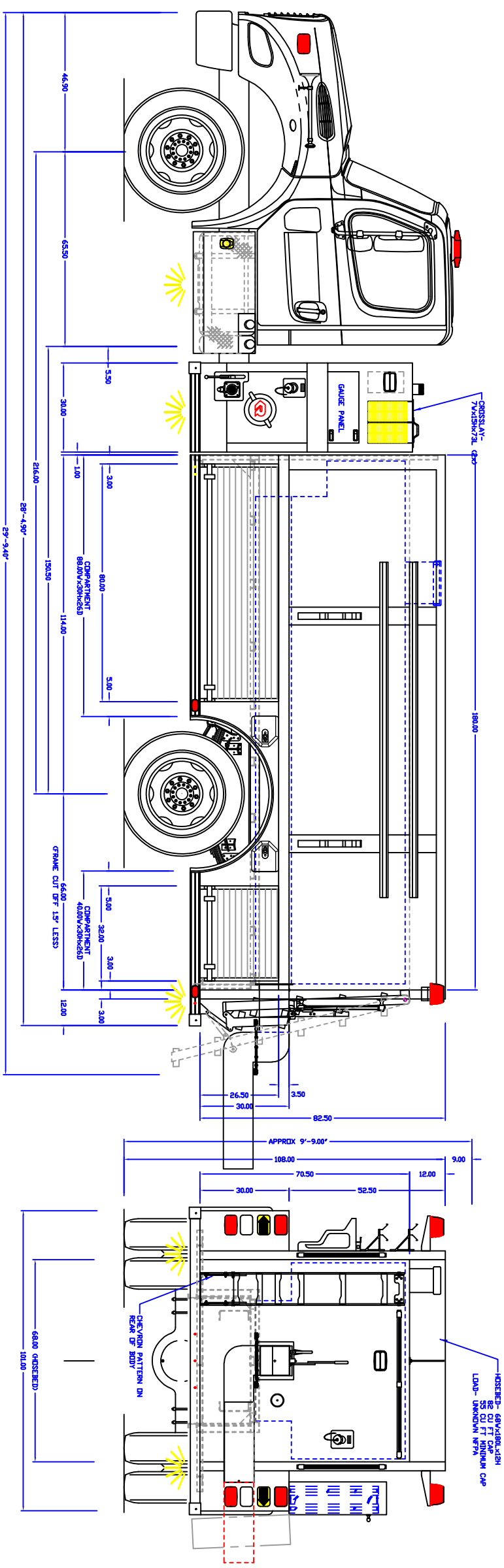
2. DO NOT SCALE DRAWING.

3. ALL DIMENSIONS ARE APPROXIMATE AND SUBJECT TO ENGINEERING CHANGES.

4. DRAWING MAY OR MAY NOT SHOW ALL ITEMS AS DESCRIBED IN THE WRITTEN DETAIL SPECIFICATIONS.

5. INCLUSION OF AN ITEM ON THE DRAWING DOES NOT CONSTITUTE INCLUSION OF THAT ITEM WITH THE FINAL DELIVERED UNIT.

6. THE EFFECTIVE DOOR OPENINGS WILL BE APPROX. 2" LESS THAN THE NOTED COMPARTMENT OPENING FOR ROLL UP DOORS AND UP TO APPROX. 4" LESS FOR HINGED DOORS



INITIALS: EH
 JOB NUMBER: 22253
 DATE: 4/12/2022

MAIN FILE: -
 DEPT: -
 DEALER: -

PRODUCTION APPROVED

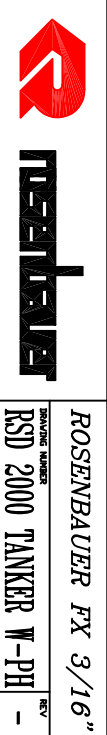
REVISED BY/ DATE: 3/23/22
 REVISED BY/ DATE: 2/24/22
 DRAWN BY/ DATE: 1/27/22

APPROVED BY:

CHASSIS:	FREIGHTLINER
PUMP:	RB 1250 GPM
TANK:	POLY/2000
PANEL MATL:	LINE X
COMP INTERIOR:	SPATTER PAINTED
MAXIMUM HEIGHT:	NONE
MAXIMUM LENGTH:	NONE
BODY WIDTH:	101"

PROPRIETARY AND CONFIDENTIAL
 THE INFORMATION CONTAINED IN THIS DRAWING IS THE SOLE PROPERTY OF ROSENBAUER. REPRODUCTION IN PART OR AS A WHOLE WITHOUT THE WRITTEN PERMISSION OF ROSENBAUER IS PROHIBITED.

RSD 2000 TANKER W-PH



REV -